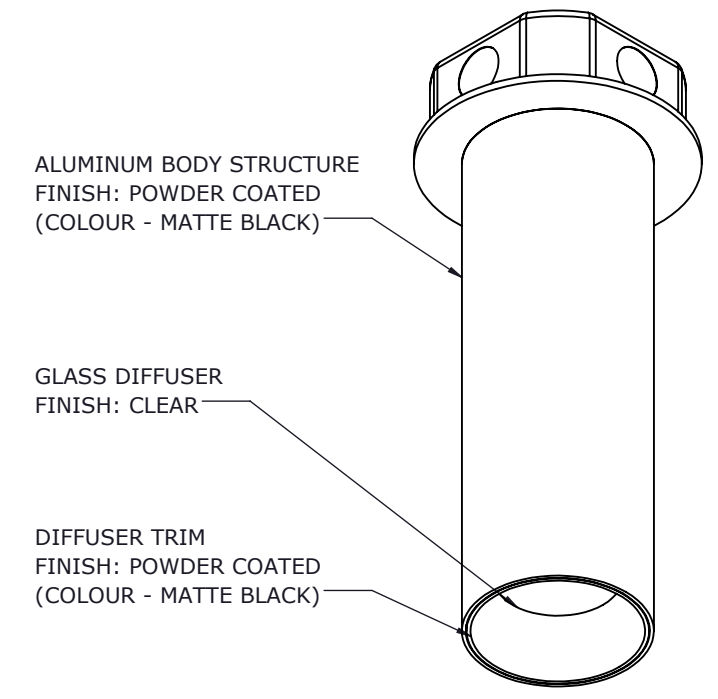
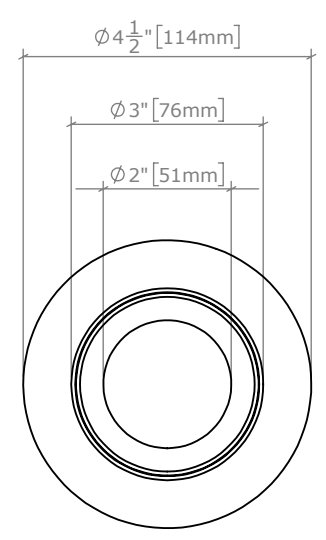
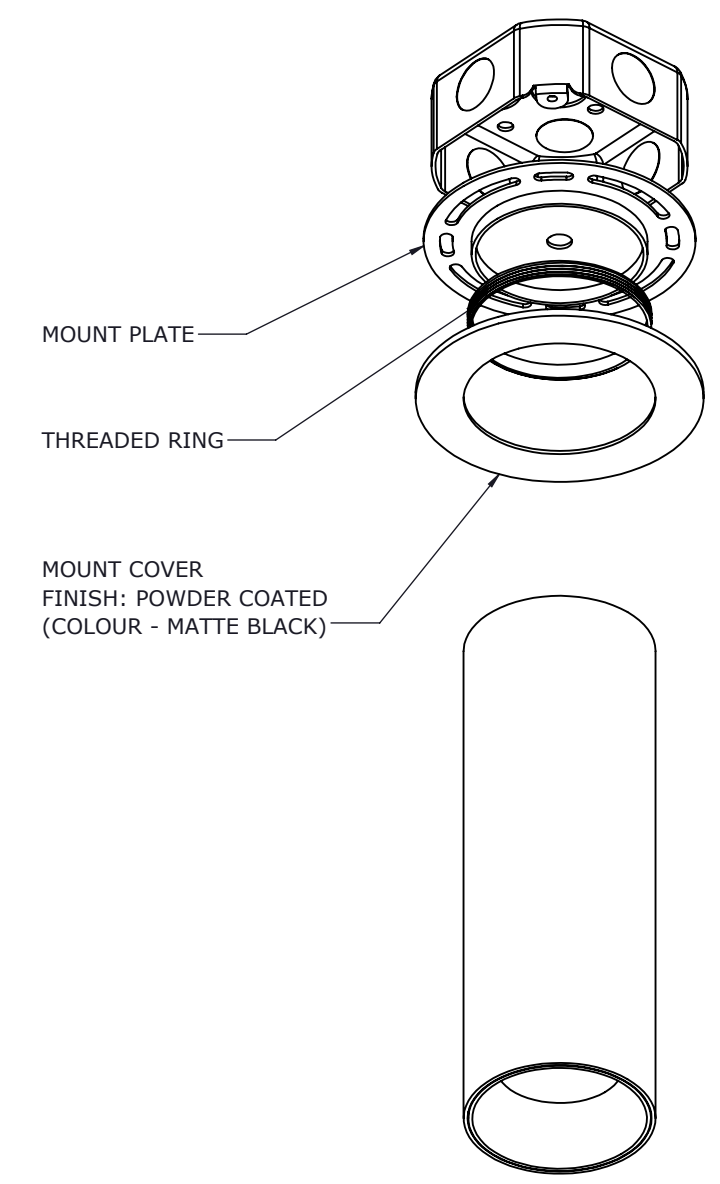
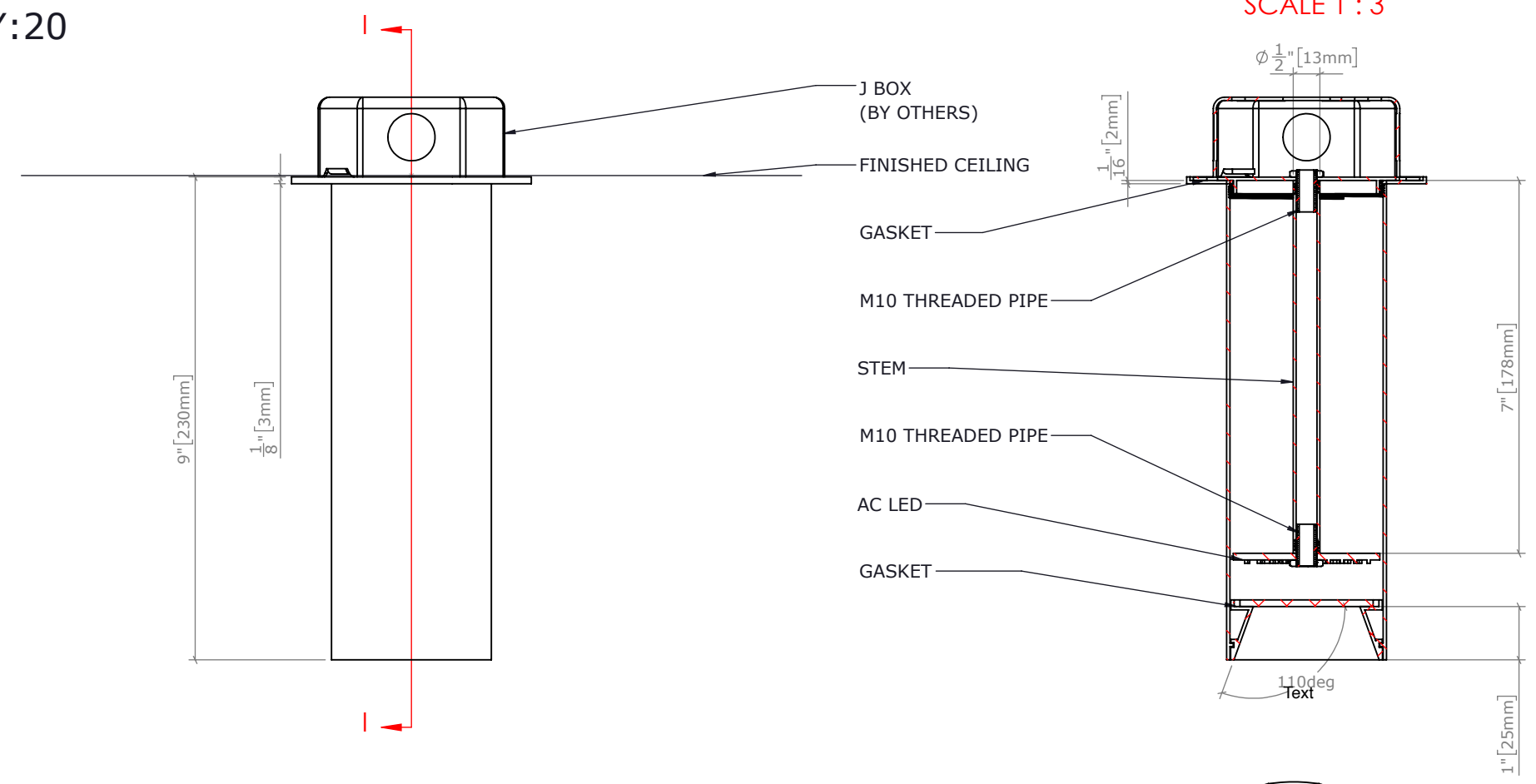




TUBO DIRECT - CEILING MOUNT - (DOWN LIGHT)
LGN-C719-LED-CHR
QTY:20

REVISIONS		
REV.	DESCRIPTION	DATE
0	ISSUED FOR APPROVAL	2021-04-06



LAMPING:
 AC LED BOARD 7W, 700LM, 3000K, CRI 90
 TRIAC DIMMING

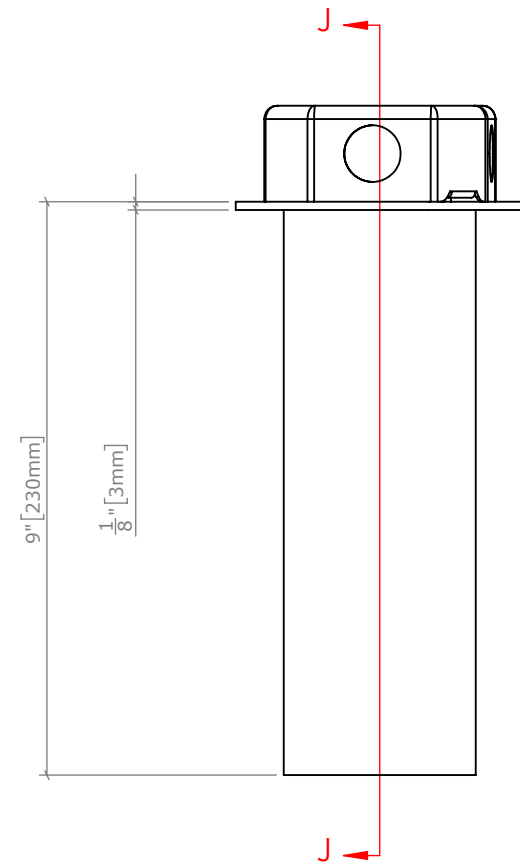
NOTES:
TRIAC DIMMING
FINISHES AVAILABLE IN BLACK, WHITE, CHROME
IP65 RATED

PROJECT: TUBO	SALES: FL	MODEL: C719
LAMP: AC LED 7W, 700LM, 3000K CRI 90	CERT.: ETL	WEIGHT: ±7LBS VOLT:120V
DWG:OC24238	BY: AA DATE: 2021-04-06	SCALE: 1:3

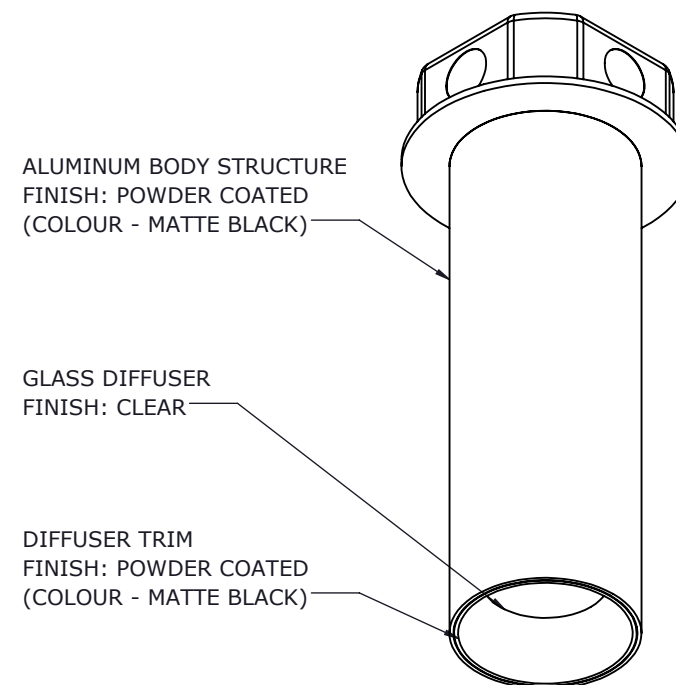
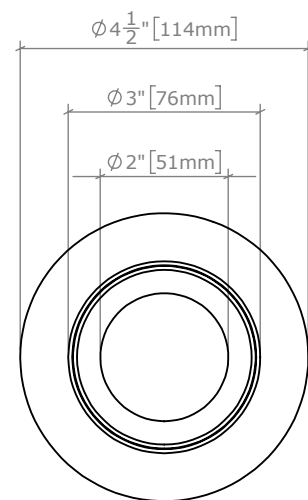
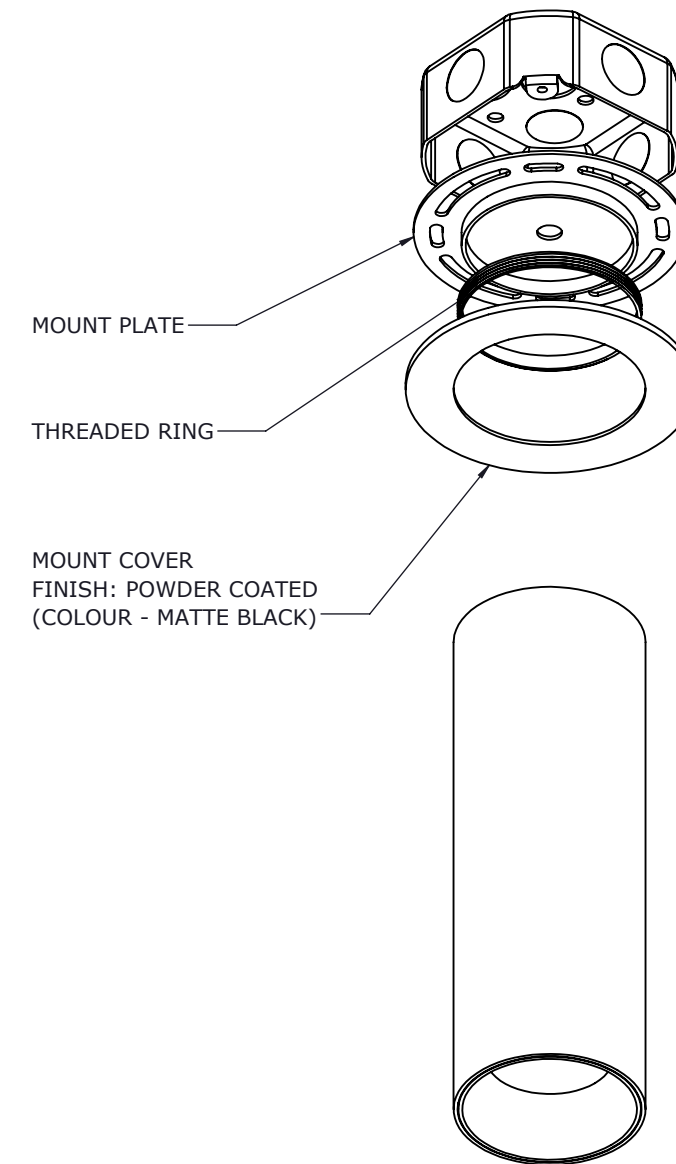
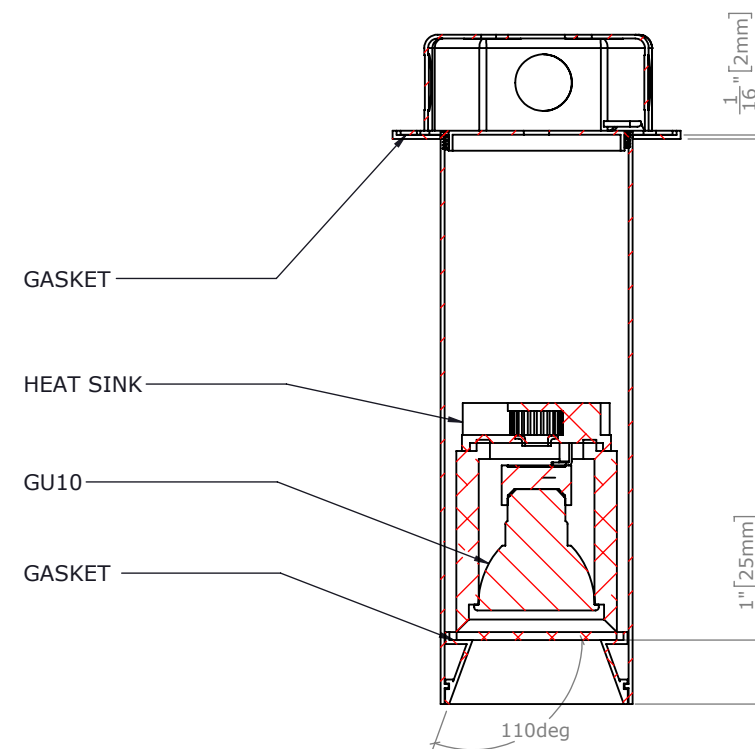
Presented drawings represent ideas and concepts, and may change in manufacturer and installation.
 All preparation for installation of fixture is to be provided by the end user.
 The description and measurements on this drawing are for information purposes only.

TUBO DIRECT - CEILING MOUNT - (DOWN LIGHT)
LGN-C719-GU10-CHR
QTY:20

REVISIONS		
REV.	DESCRIPTION	DATE
0	ISSUED FOR APPROVAL	2021-04-06



SECTION J-J
SCALE 1 : 3



LAMPING: GU-10 BASE 50W
SUGGEST: GU-10 BASE 50W, 500LM, 3000K, CRI90
DIMMABLE BULB
TRIAC DIMMING

PROJECT: TUBO	SALES: FL	MODEL: C719
LAMP: GU-10 BASE 50W	CERT.: ETL	WEIGHT: ±7LBS VOLT:120V
DWG:OC24238	BY: AA DATE: 2021-04-06	SCALE: 1:3

NOTES:
TRIAC DIMMING
FINISHES AVAILABLE IN BLACK, WHITE, CHROME
IP65 RATED